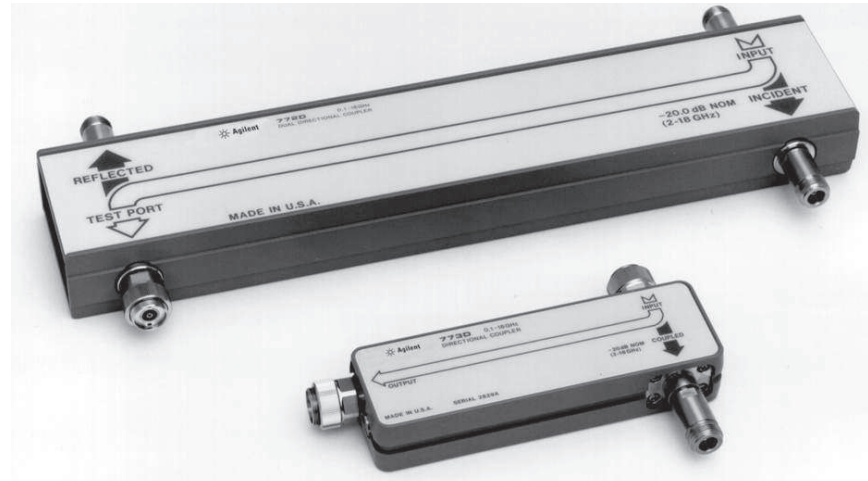


Agilent 772D, 773D Directional Couplers 2 to 18 GHz

Technical Overview

New Performance Standards in Microwave Couplers

The Agilent Technologies 772D dual directional coaxial coupler and 773D directional coupler are high directivity couplers designed for broadband swept reflectometer measurements and leveling applications in the 2 to 18 GHz frequency range. With their wide frequency coverage, one of these couplers can replace several couplers without performance degradation, thus adding convenience and economy by reducing setup and calibration time. The high directivity and low main line SWR make it possible to achieve excellent source match. The smaller size and light weight of the 773D directional coupler make it much easier to use on the bench. The addition of threaded mounting holes makes it an ideal candidate for use inside equipment in leveling loop applications. Low SWR and flat coupling variation from 2 to 18 GHz and high power capability make these couplers ideal for your most demanding measurement needs.



	Agilent 772D	Agilent 773D
Description	Dual directional coupler	Directional coupler
Frequency range	2 to 18 GHz	2 to 18 GHz
Minimum directivity	39 dB (0.1 – 2 GHz) typical 30 dB (2 – 12.4 GHz) 27 dB (12.4 – 18 GHz) 20 dB (18 – 20 GHz) typical	39 dB (0.1 – 2 GHz) typical 30 dB (2 – 12.4 GHz) 27 dB (12.4 – 18 GHz) 21 dB (18 – 20 GHz) typical
Maximum main line SWR	1.05 (0.1 – 2 GHz) typical 1.28 (2 – 12.4 GHz) 1.40 (12.4 – 18 GHz) 1.29 (18 – 20 GHz) typical	1.04 (0.1 – 2 GHz) typical 1.21 (2 – 12.4 GHz) 1.27 (12.4 – 18 GHz) 1.16 (18 – 20 GHz) typical
Maximum coupled line SWR	1.08 (0.1 – 2 GHz) typical 1.30 (2 – 12.4 GHz) 1.40 (12.4 – 18 GHz) 1.17 (18 – 20 GHz) typical	1.07 (0.1 – 2 GHz) typical 1.30 (2 – 12.4 GHz) 1.40 (12.4 – 18 GHz) 1.17 (18 – 20 GHz) typical
Nominal coupling (dB)⁴	20 ± 1 dB (2 – 18 GHz)	20 ± 1 dB (2 – 18 GHz)
Max. coupling variation with Freq.⁴	<±1.0 dB or 2 dB peak-to-peak (2 – 18 GHz)	<±1.0 dB or 2 dB peak-to-peak (2 – 18 GHz)
Tracking between auxiliary arms	<±0.7 dB ^{1,2}	N/A ²
Maximum main line residual loss	<0.26 dB (0.1 – 2GHz) typical <1.5 dB (2 – 18 GHz)	< 0.15 dB (0.1 – 2 GHz) typical <0.9 dB (2 – 18 GHz) <0.9 dB (18 – 20 GHz) typical
Main line power handling capability	0.1–2 GHz 100 W (50 dBm) average typical 2–18 GHz 250 W (54 dBm) peak ³ typical 50 W (47 dBm) average 50 W (47 dBm) average 250 W (54 dBm) peak ³ 18–20 GHz N/A 50 W (47 dBm) average typical N/A	100 W (50 dBm) average typical 250 W (54 dBm) peak ³ typical 250 W (54 dBm) peak ³ 250 W (54 dBm) peak ³ typical
Net weight	2.6 kg	0.8 kg
Dimensions (cm)	39.1 (L) x 13.34 (W) x 4.13 (H)	18.4 (L) x 10.5 (W) x 3.0 (H)

1. With test port shorted and not including source match ripple.
2. Typical relative tracking between 772D and 773D is <±0.7 dB.
3. Peak power duration of 10 μs
4. Nominal coupling = (Max. coupling + Min. coupling)/2

Connectors

Agilent 772D

Test port APC-7; input, incident, and reflected ports Type-N (F)

Agilent 773D

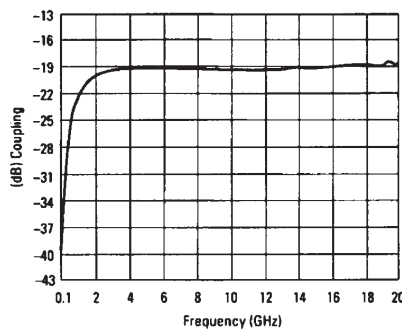
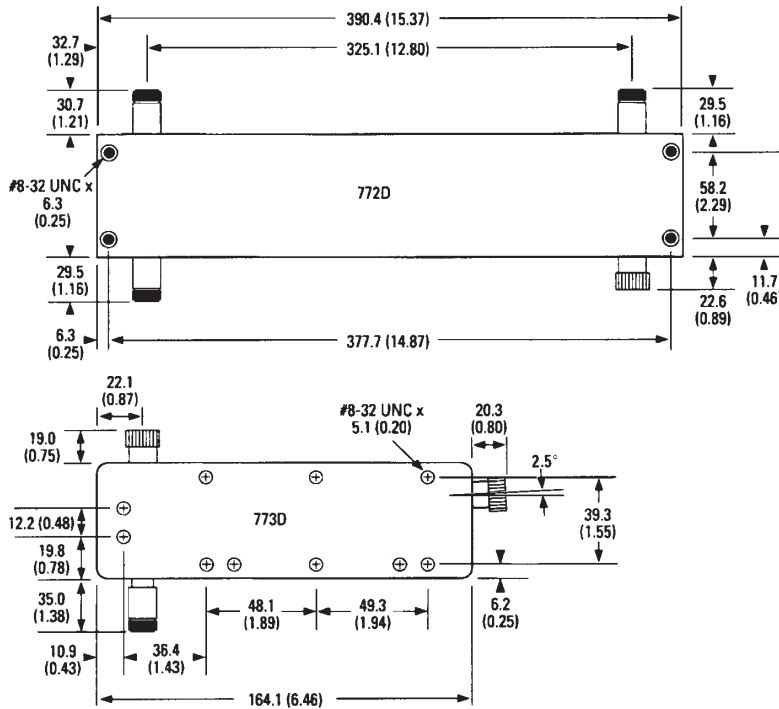
Input and output ports APC-7; coupled port Type-N (F)

Agilent 772D, 773D Option 001

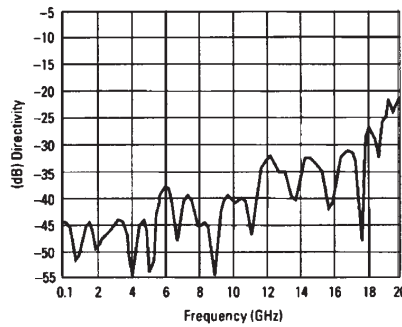
All connectors Type-N (F)

Outline Drawings

Dimensions in millimeters (inches)



Typical coupling



Typical directivity

www.agilent.com
www.agilent.com/find/mta

For more information on Agilent Technologies' products, applications or services, please contact your local Agilent office. The complete list is available at:

www.agilent.com/find/contactus

Americas

Canada	(877) 894 4414
Brazil	(11) 4197 3600
Mexico	01800 5064 800
United States	(800) 829 4444

Asia Pacific

Australia	1 800 629 485
China	800 810 0189
Hong Kong	800 938 693
India	1 800 112 929
Japan	0120 (421) 345
Korea	080 769 0800
Malaysia	1 800 888 848
Singapore	1 800 375 8100
Taiwan	0800 047 866
Other AP Countries	(65) 375 8100

Europe & Middle East

Belgium	32 (0) 2 404 93 40
Denmark	45 45 80 12 15
Finland	358 (0) 10 855 2100
France	0825 010 700*
	*0.125 €/minute
Germany	49 (0) 7031 464 6333
Ireland	1890 924 204
Israel	972-3-9288-504/544
Italy	39 02 92 60 8484
Netherlands	31 (0) 20 547 2111
Spain	34 (91) 631 3300
Sweden	0200-88 22 55
United Kingdom	44 (0) 118 927 6201

For other unlisted countries:
www.agilent.com/find/contactus

(BP-3-1-13)

Product specifications and descriptions in this document subject to change without notice.

© Agilent Technologies, Inc. 2013
 Published in USA, August 19, 2013
 5959-8753



www.agilent.com/find/myagilent

A personalized view into the information most relevant to you.

